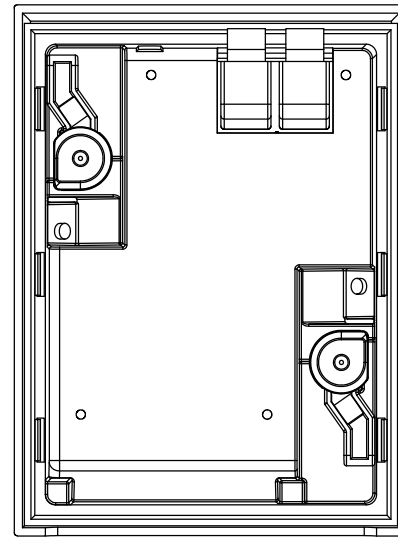
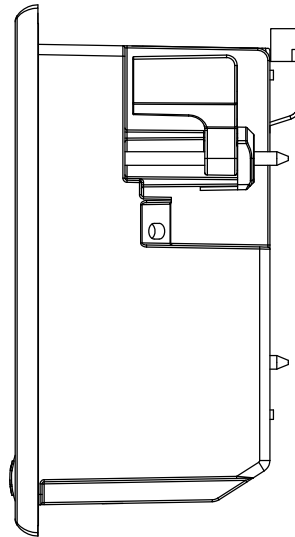
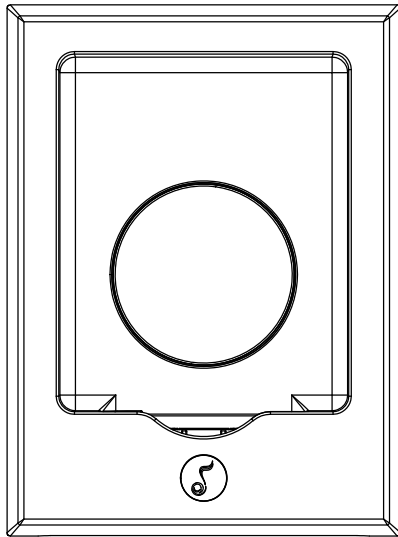
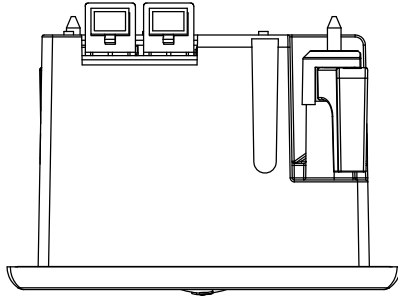


CONFIDENTIAL

PROPRIETARY INFORMATION OF DANA INNOVATIONS, INC.
NOT TO BE COPIED OR DISCLOSED EXCEPT BY WRITTEN PERMISSION

REVISIONS					
ECO#	ZONE	REV	DESCRIPTION	DATE	DRAWN
N/A	N/A	1	RELEASED FOR WEBSITE	03/06/09	HB



APPROVALS	DATE	A DIVISION OF DANA INNOVATIONS SAN CLEMENTE, CA. 92672
DRAWN HB	03/06/09	
CHECKED		IW-21 / IW-22
SIZE B	VOLUME	PART NO. 70128 / 70129
DO NOT SCALE DRAWING		SHEET: 1 OF 2

8 7 6 5 4 3 2 1

CONFIDENTIAL
 PROPRIETARY INFORMATION OF DANA INNOVATIONS, INC.
 NOT TO BE COPIED OR DISCLOSED EXCEPT BY WRITTEN PERMISSION

REVISIONS					
ECO#	ZONE	REV	DESCRIPTION	DATE	DRAWN
N/A	N/A	1	RELEASED FOR WEBSITE	03/06/09	HB

D

D

C

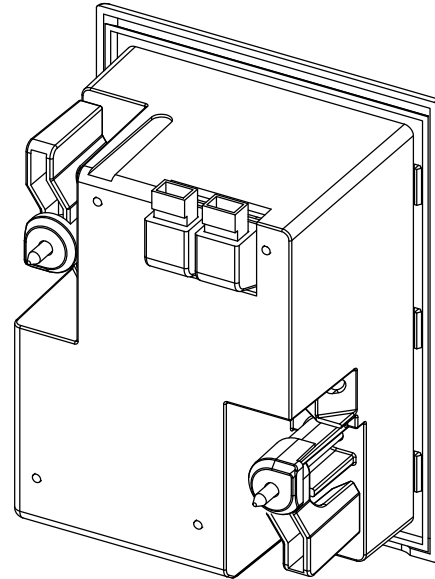
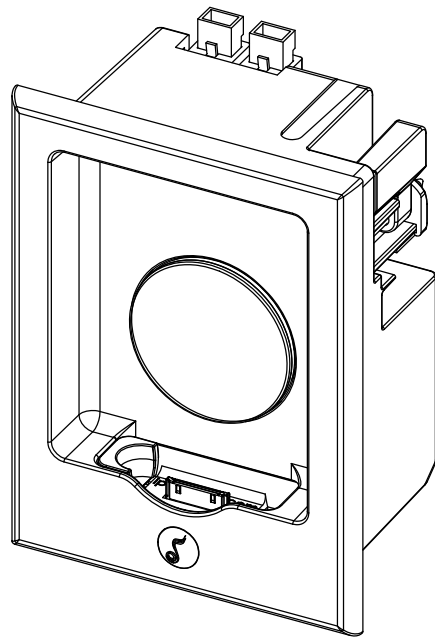
C

B

B

A

A



APPROVALS	DATE	A DIVISION OF DANA INNOVATIONS SAN CLEMENTE, CA. 92672
DRAWN HB	03/06/09	
CHECKED		IW-21 / IW-22
SIZE B	VOLUME	PART NO. 70128 / 70129
DO NOT SCALE DRAWING		SHEET: 2 OF 2

8 7 6 5 4 3 2 1